

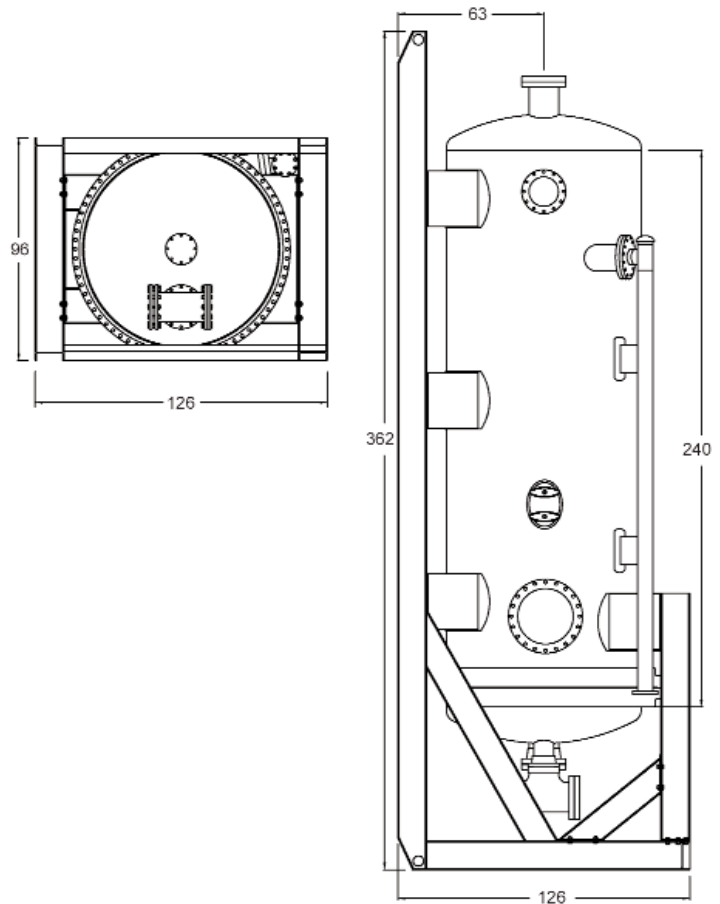
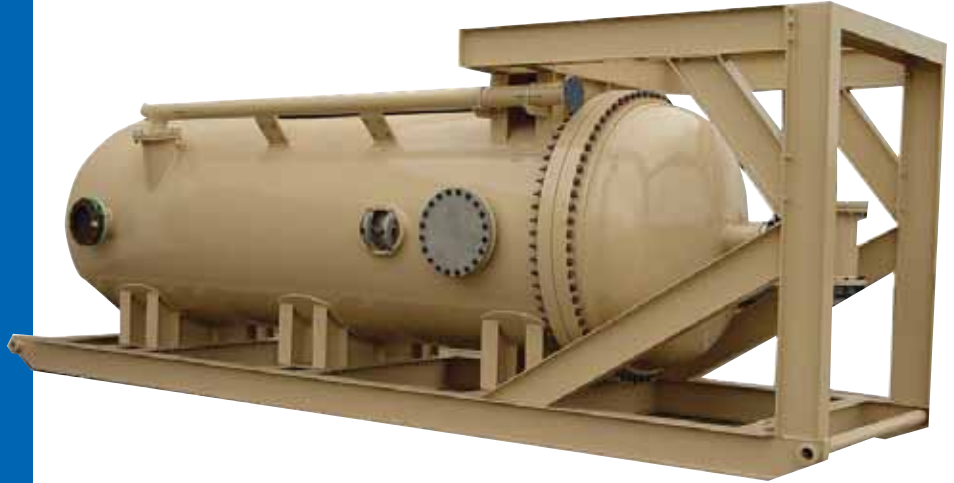
SPECIFICATIONS

Mud Degasser Skid Tank

- 84" OD X 240" straight shell size, vertical operation
- ½" carbon steel plate shell and heads
- (4) internal diffuser plates below inlet
- (1) internal splash plate above inlet
- All (5) internal plates made from ¾" plate with 1" dia. punched holes located on 2" staggered centers
- 6" external inlet pipe with ground level connection
- 12" internal vent pipe with connections at top and ground level
- 20" side access hatch
- 14" X 18" elliptical side inspection hatch
- 12" pressure relief disc
- Fully removable lower head
- Fully removable internal diffuser plate system
- Vessel removable from skid
- ASME "U" stamped
- 100 PSI maximum allowable working pressure (MAWP)

Skid

- Heavy duty beam construction
- Pull pipe located at both ends for loading and rigging
- Removable beam base and supports for vessel service
- Overall size for transport:
96" wide X 126" high X 362" long



DRAGON
PRODUCTS, LTD.

1-866-941-8198

www.modernusa.com