



PREFERRED
Recycling Equipment Inc.



CONTAINER CARRIER TECHNICAL SPECIFICATION GUIDE

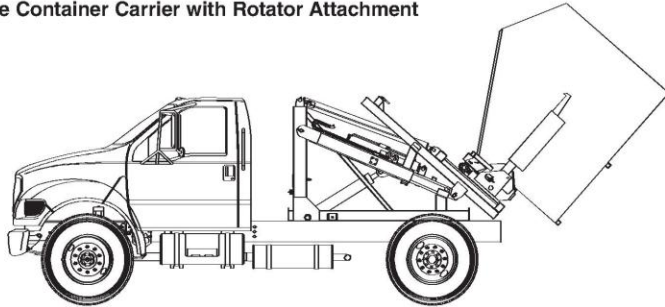
CONTAINER CARRIERS

Container Carriers with Optional Rotator Attachment



■ **Extendable Container Carrier with Rotator Attachment**

Equipped with the hydraulic 360 degree continuous rotator, the container carrier can dump front-load containers with no limit to the direction or extent of the dump angle.



The center of gravity of the ECCR unit is located approximately 17" in front of the rear axle. In the stored position, the center of gravity of the container is located approximately 43" behind rear axle.

Model ECCR: Extendable and retractable fork body with rotator

Model CCR: Non-extending with rotator

Model CC: Non-extending, non-rotating

| Specifications | ECCR | CCR | CC |
|-------------------------|---------------------------------|---------------------------------|---------------------------------|
| Lifting capacity | 8,000 lbs (3,629 kg) | 8,000 lbs (3,629 kg) | 8,000 lbs (3,629 kg) |
| Dumping capacity* | 8,000 lbs (3,629 kg) | 8,000 lbs (3,629 kg) | NA |
| Transporting capacity** | 8,000 lbs (3,629 kg) | 8,000 lbs (3,629 kg) | 8,000 lbs (3,629 kg) |
| Container sizes | 2-10 yd ³ | 2-10 yd ³ | 2-10 yd ³ |
| Type of containers | Front and rear load | Front and rear load | Front and rear load |
| Rotation | Worm/turntable gear bearings | Worm/turntable gear bearings | NA |
| Stacking capability | 2-8 yd ³ | 2-8 yd ³ | 2-8 yd ³ |
| Operating pressure | 4,500 psi (31 mpa) | 4,500 psi (31 mpa) | 4,500 psi (31 mpa) |
| GPM | 12 (45 lpm) | 12 (45 lpm) | 12 (45 lpm) |
| Hydraulic tank | 10-gallon (38 ltr) | 10-gallon (38 ltr) | 10-gallon (38 ltr) |
| Recommended CA | 84" to 114" (2,134 to 2,896 mm) | 84" to 114" (2,134 to 2,896 mm) | 84" to 114" (2,134 to 2,896 mm) |
| Controls | Inside & outside controls | Inside & outside controls | Inside & outside controls |
| Bushings and zerks | All pivot and rotation points | All pivot and rotation points | All pivot and rotation points |
| Container bumpers | Molded rubber | Molded rubber | Molded rubber |
| Hydraulic pump | Bent axis piston type | Bent axis piston type | Bent axis piston type |
| Valve bank | 4-spool cable controlled | 3-spool cable controlled | 2-spool cable controlled |
| Min. chassis GVW | 26,000 lbs (11.8 mt) | 26,000 lbs (11.8 mt) | 26,000 lbs (11.8 mt) |
| Shipping weight | 3,102 lbs (1,407 kg) | 3,000 lbs (1,361 kg) | 2,084 lbs (945 kg) |

* Front load only

** Truck chassis manufacturer's specific body and equipment weight and center of gravity limitation must not be exceeded. Carrier installation will require calculation of CG for compliance with Federal Motor Vehicle Safety Standards.

Container

Preferred Recycling Equipment Inc.
 2 Main Street East, Box # 436
 Grimsby, Ontario
 L3M 4H8
 Phone: 1.866.679.8783
 Email: info@preferredrecyclingequipment.com
 Web: www.preferredrecyclingequipment.com

Patents Pending