

**NOTE:**

**1. COMPATIBLE CONTAINERS:**

- RUBBERMAID #2632 - 32 gal. BRUTE CONTAINER
- RUBBERMAID #2643 - 44 gal. BRUTE CONTAINER

**2. LIFT CAPACITY: 500 lbs @ 2000 PSI**

**3. CYCLE TIME: 10 SECONDS @ 2.5 GPM**

**4. POWER UNIT: 5 HP MOTOR (460V three-phase)**

2.5 GPM GEAR PUMP

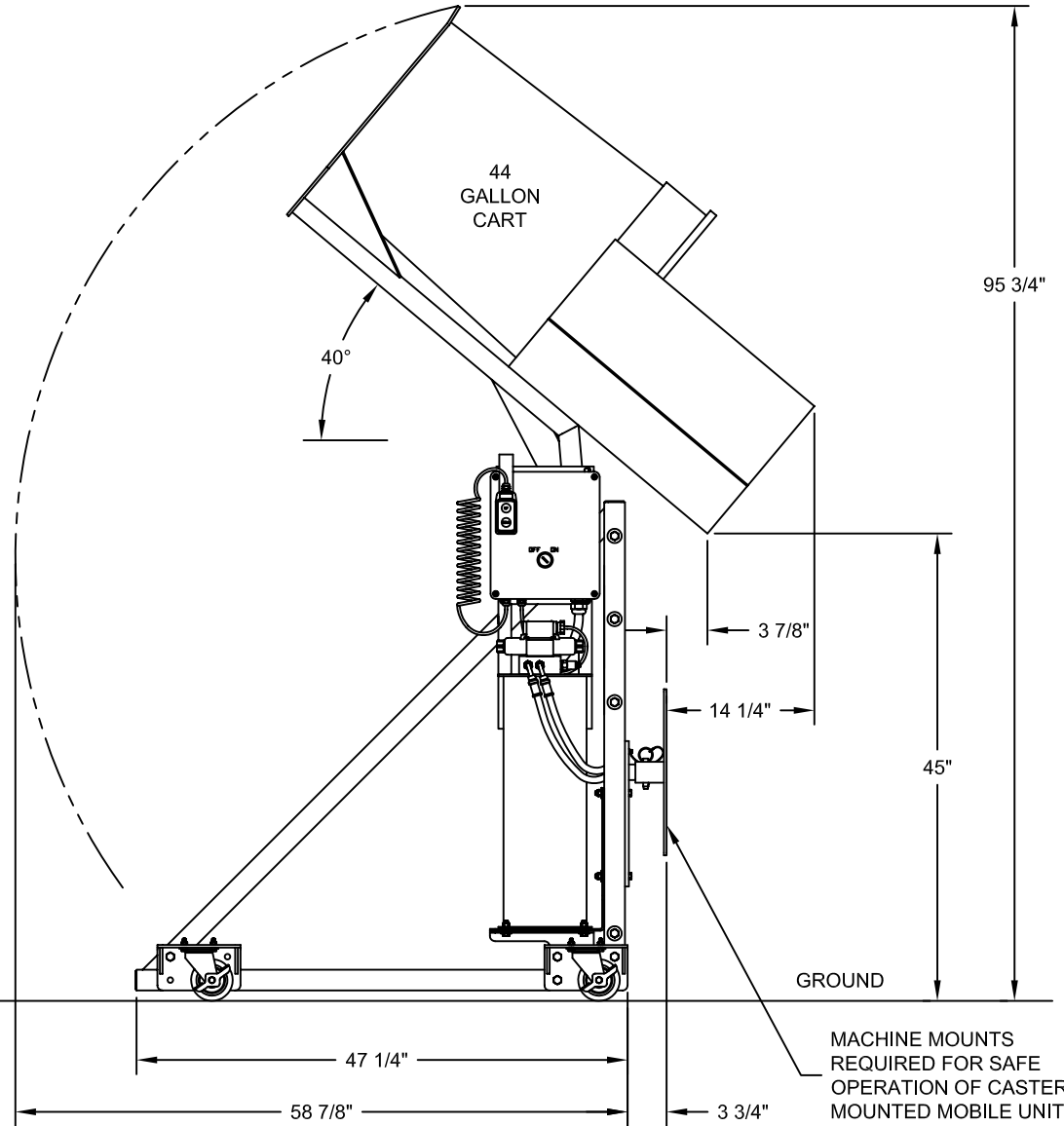
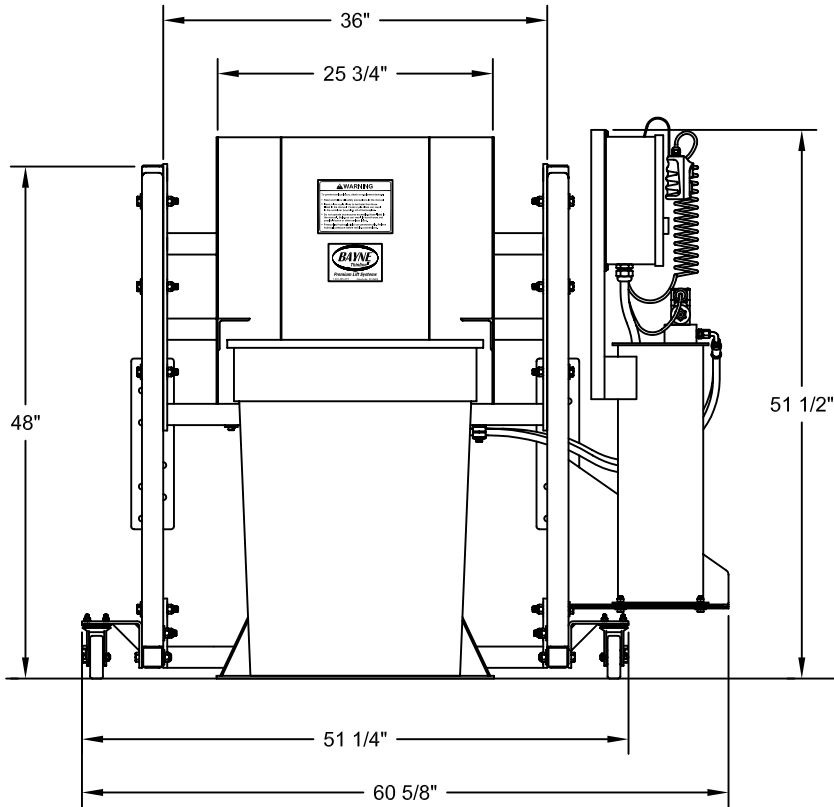
4 GALLON OIL RESERVOIR

2500 PSI MAXIMUM PRESSURE

KEYED ON/OFF SWITCH

HAND HELD PENDENT CONTROL w/ 6' CORD

**5. ALL DIMENSIONS ARE APPROXIMATE.**



CUSTOMER APPROVAL DRAWING	
This drawing is private and confidential communication and the property of BAYNE MACHINE WORKS, INC., Greenville, S.C. It MUST NOT be copied or lent without consent of BAYNE MACHINE WORKS, INC.	<b>SUBMITTED FOR YOUR APPROVAL</b>
This drawing supersedes all drawings of previous issues. Destroy all drawings of this part number issued prior to this date:	This proposal drawing will not be released for production without a signed approval. Please review this drawing and the product shown carefully and mark all changes required.
12/01/2009	Name _____ Date _____ Title _____ Company _____

<b>CONFIDENTIAL</b>		UNLESS OTHERWISE SPECIFIED DIMENSIONS ARE IN INCHES		<b>BAYNE MACHINE WORKS, INC.</b>	
THE INFORMATION CONTAINED IN THIS DRAWING IS THE SOLE PROPERTY OF BAYNE MACHINE WORKS, INC. AND IS RECALLABLE AT ANY TIME. IT MUST NOT BE COPIED OR USED DETRIMENTALLY TO THE INTEREST OF BAYNE MACHINE WORKS, INC.		LINEAR TOLERANCES: FRACTIONAL ±1/32 TWO PLACE DECIMAL ±.015 THREE PLACE DECIMAL ±.005		910 FORK SHOALS ROAD - GREENVILLE, SC 29605 - 864.288.3877	
ANGULAR TOLERANCES: MACHINED ±.025 DEG BEND ±1.00 DEG		TITLE		FS45-CAS-460-RHC SPECIFICATIONS	
MATERIAL	DRAWN BY	DATE	SCALE	SHEET	OF
	CTT	12/01/2009	NONE	1	1
QTY	FINISH	WEIGHT	CHECKED BY	DATE	DWG NO
					H5800041
					REV
					-