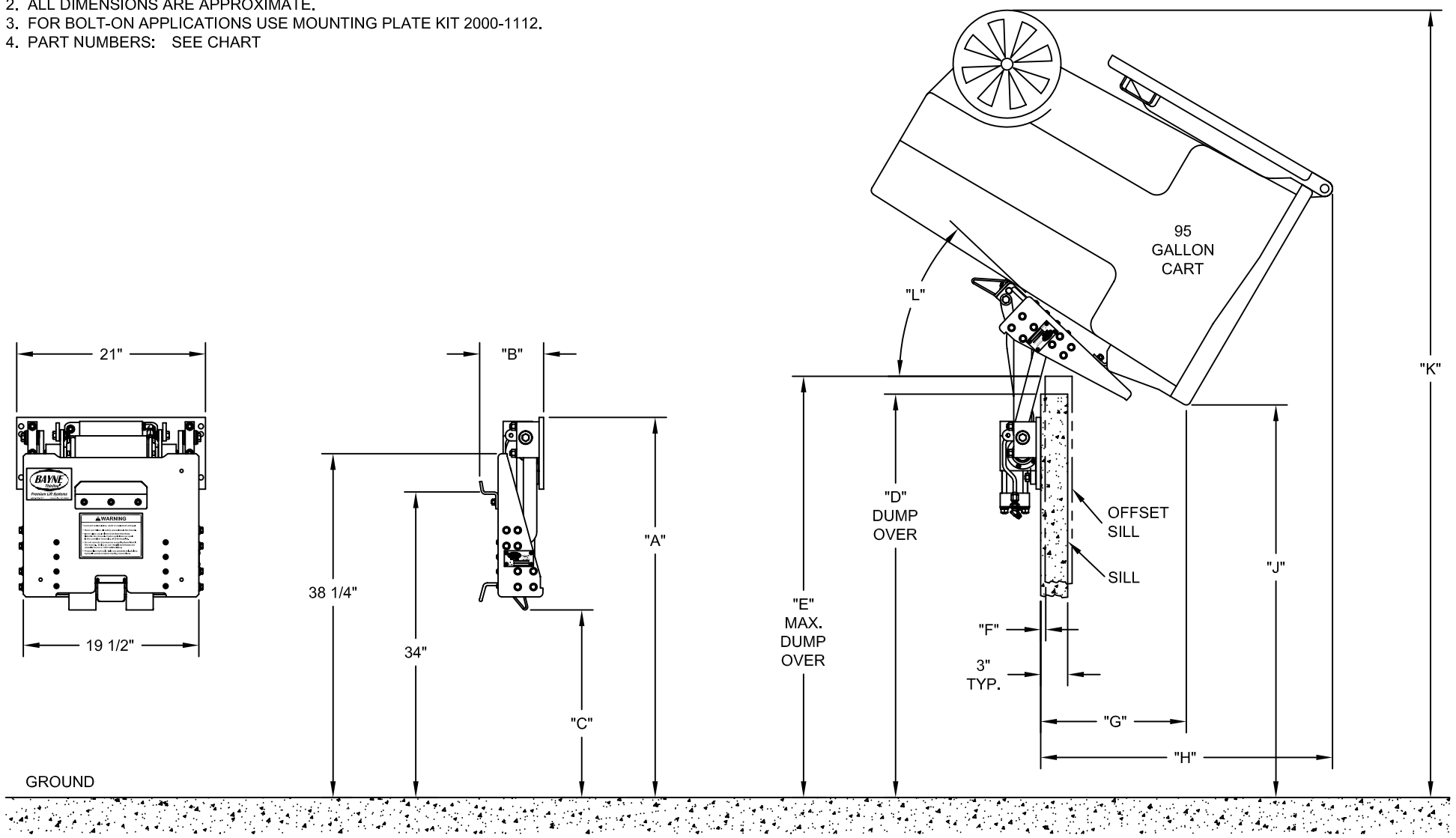


NOTE:

1. DIMENSIONS ACCOMMODATE ANSI Z245.60-2008 TYPE B CONTAINERS (DOMESTIC 2-BAR CARTS), BUT MAY VARY DUE TO CONTAINER SPECIFICATIONS OR APPLICATIONS.
2. ALL DIMENSIONS ARE APPROXIMATE.
3. FOR BOLT-ON APPLICATIONS USE MOUNTING PLATE KIT 2000-1112.
4. PART NUMBERS: SEE CHART



CONFIDENTIAL

THE INFORMATION CONTAINED IN THIS DRAWING IS THE SOLE PROPERTY OF BAYNE MACHINE WORKS, INC. AND IS RECALLABLE AT ANY TIME. IT MUST NOT BE COPIED OR USED DETRIMENTALLY TO THE INTEREST OF BAYNE MACHINE WORKS, INC.

UNLESS OTHERWISE SPECIFIED DIMENSIONS ARE IN INCHES
 LINEAR TOLERANCES:
 FRACTIONAL ±1/32
 TWO PLACE DECIMAL ±.015
 THREE PLACE DECIMAL ±.005
 ANGULAR TOLERANCES:
 MACHINED ±0.25 DEG
 BEND ±1.00 DEG

BAYNE MACHINE WORKS, INC.
 910 FORK SHOALS ROAD - GREENVILLE, SC 29605 - 864.288.3877

TITLE
BTL SERIES SPECIFICATIONS

MATERIAL		DRAWN BY CTT	DATE 10/08/2009	SCALE NONE	SHEET 1	OF 2
QTY	FINISH	WEIGHT	CHECKED BY	DATE	DWG NO H0100006	REV -

MODEL NUMBER	PART #	"A" DIM.	"B" DIM.	"C" DIM.	"D" DIM.	"E" DIM.	"F" DIM.	"G" DIM.	"H" DIM.	"J" DIM.	"K" DIM.	"L" DIM.
BTL 1110	1900-0002	38 1/4"	7 1/8"	20 7/8"	39 1/8"	N/A	N/A	16 1/4"	32 3/8"	35 3/4"	79 5/8"	43°
BTL 1110 TS	1900-2002	36 3/4"	7 1/8"	20 1/2"	37 5/8"	N/A	N/A	17 3/8"	33 1/2"	33 1/4"	77 1/8"	43°
BTL 1110 TS (.059" ORIFICE)	1900-1102											
BTL 1111	1900-0003	39 1/4"	7 1/8"	20 7/8"	40 1/2"	41 1/8"	1/4"	16 1/2"	31 7/8"	38 3/8"	81 1/2"	41°
BTL 1111 TS	1900-2003	37 3/4"	7 1/8"	20 1/2"	39"	39 5/8"	1/4"	17 5/8"	33"	35 7/8"	79"	41°
BTL 1112	1900-0004	40 1/4"	7 1/8"	21"	42"	43 1/4"	3/8"	16 5/8"	31 1/2"	40 3/4"	83 1/2"	40°
BTL 1112 TS	1900-2004	38 3/4"	7 1/8"	20 1/2"	40 1/2"	41 3/4"	3/8"	17 3/4"	32 5/8"	38 3/8"	81"	40°
BTL 1113	1900-0005	41 1/4"	7 1/8"	21"	43 3/8"	45 1/4"	1/2"	16 3/4"	31 1/8"	43 1/8"	85 3/8"	39°
BTL 1113 TS	1900-2005	39 3/4"	7 1/8"	20 1/2"	41 7/8"	43 3/4"	1/2"	18"	32 1/4"	40 3/4"	82 7/8"	39°
BTL 1114	1900-0006	42 1/4"	7 1/8"	20 7/8"	44 3/4"	46 5/8"	1/2"	16 1/4"	32 1/2"	43 5/8"	87 5/8"	43°
BTL 1114 TS	1900-2006	40 3/4"	7 1/8"	20 1/2"	43 1/4"	45 1/8"	1/2"	17 1/4"	33 5/8"	41 1/8"	85 1/8"	43°
BTL 1114 SO	1900-0840	42 1/4"	7 1/8"	20 3/4"	45 1/8"	46"	1/4"	15 1/2"	33 5/8"	42 1/4"	87 5/8"	48°
BTL 1114 SO F.L.B.	1900-3840											
BTL 1114 SO TS	1900-2840	40 3/4"	7 1/8"	20 3/8"	43 5/8"	44 1/2"	1/4"	16 1/2"	34 5/8"	39 5/8"	85"	48°
BTL 1114 SO TS F.L.B. (.043" ORIFICE)	1900-3841											
BTL 1115	1900-0007	43 1/4"	7 1/8"	21 1/8"	46 1/4"	49 3/8"	3/4"	17"	30 1/2"	47 3/4"	89 1/4"	37°
BTL 1115 TS	1900-2007	41 3/4"	7 1/8"	20 1/2"	44 3/4"	47 7/8"	3/4"	18 1/4"	31 3/4"	45 3/8"	86 7/8"	37°

CONFIDENTIAL		UNLESS OTHERWISE SPECIFIED DIMENSIONS ARE IN INCHES LINEAR TOLERANCES: FRACTIONAL ±1/32 TWO PLACE DECIMAL ±.015 THREE PLACE DECIMAL ±.005 ANGULAR TOLERANCES: MACHINED ±.025 DEG BEND ±1.00 DEG		BAYNE MACHINE WORKS, INC.	
THE INFORMATION CONTAINED IN THIS DRAWING IS THE SOLE PROPERTY OF BAYNE MACHINE WORKS, INC. AND IS RECALLABLE AT ANY TIME. IT MUST NOT BE COPIED OR USED DETRIMENTALLY TO THE INTEREST OF BAYNE MACHINE WORKS, INC.				910 FORK SHOALS ROAD - GREENVILLE, SC 29605 - 864.288.3877	
MATERIAL				TITLE	
DRAWN BY CTT				BTL SERIES SPECIFICATIONS	
DATE 10/08/2009				SCALE NONE	
SHEET 2				OF 2	
QTY		FINISH		WEIGHT	
CHECKED BY		DATE		DWG NO H0100006	
				REV -	