

# BTL Series



## Mobile Refuse Cart Lifter

The **BTL series** is one of the best selling lines of lifters from **Bayne Premium Lift Systems**. This lifter was specifically designed to offer greater ground clearance for rear load applications, thus reducing the risk of damaging the lifter on uneven terrain such as alley entrances, landfills, etc. This additional ground clearance makes the BTL a perfect choice for rear load applications with commercial container lift bars. BTL lifters may be combined with a vertical assembly to make a VBTL lifter. VBTL models add 9" of vertical travel and 3 1/2" of thickness to the BTL lifter.

- Powered by the patented Thinline® rack and pinion rotary actuator for smooth operation
- Compatible with standard domestic style 2-bar carts
- Over 21" of ground clearance
- Thinline design works in conjunction with most commercial container lift bars
- Dumps cart higher and deeper inside the hopper opening to prevent spillage and increase route stops before cycling packer blade
- Self-lubricating composite bearings at main pivot points
- Powder-coated finish for durability
- 2-Year Limited Warranty



Premium Lift Systems

Precision, Quality and...Patented Engineering!

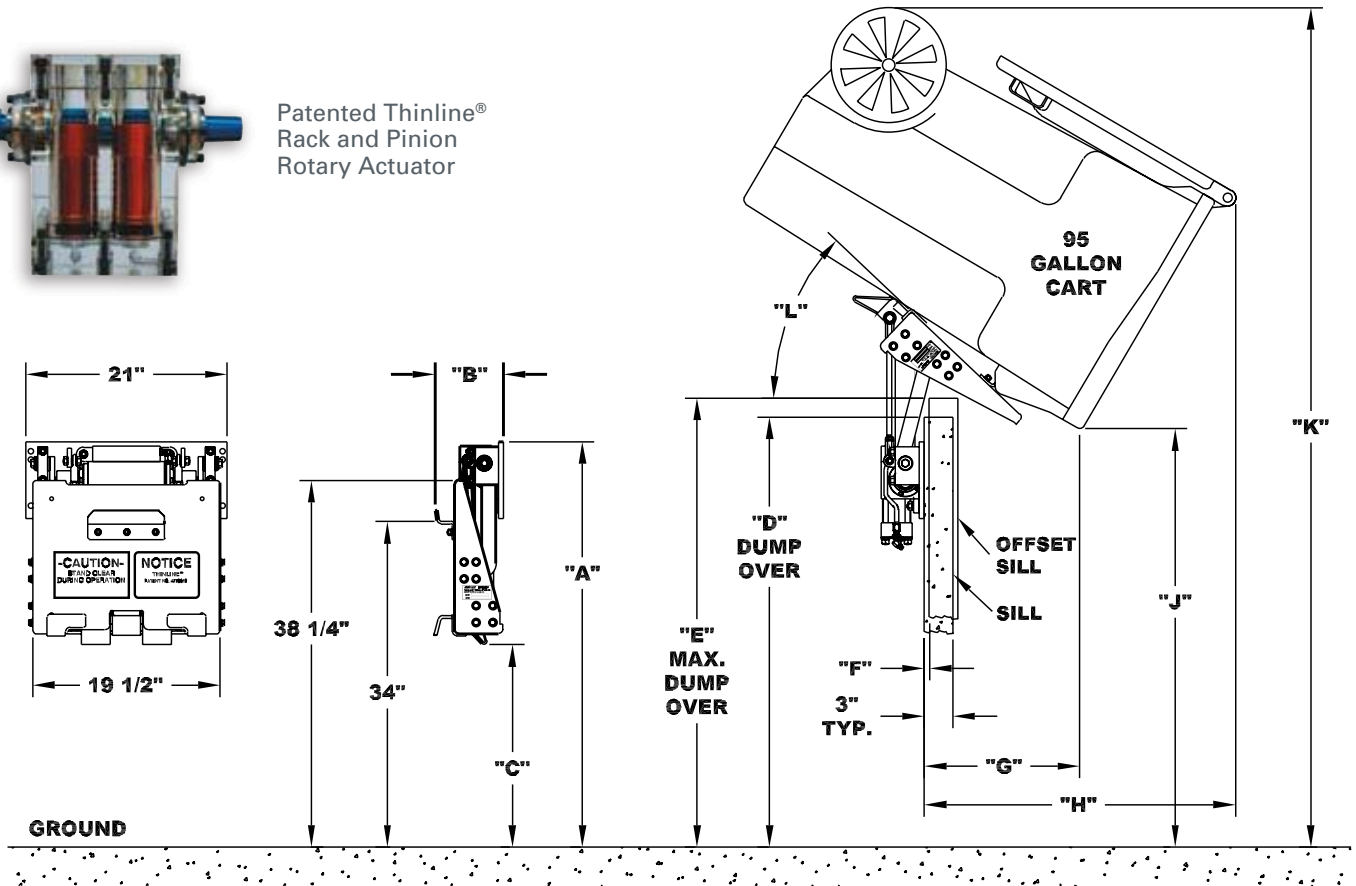
# BTL Series

## Specifications and Dimensions

|                             |   |
|-----------------------------|---|
| <b>Cart Compatibility:</b>  | ANSI Z245.60-2008 Type B Containers (domestic 2-bar carts)  |
| <b>Lift Capacity:</b>       | 400 lbs @ 1800 psi  |
| <b>Hydraulic Pressures:</b> | Working Pressure – 1800 psi<br>Maximum Pressure – 2500 psi  |
| <b>Hydraulic Flow:</b>      | 2.0 – 2.5 gpm   |
| <b>Cycle Time:</b>          | 6–8 seconds (lifter only)<br>8–10 seconds (with 9" vertical)  |
| <b>Bearings:</b>            | Self-Lubricating Composite Material   |
| <b>Actuator:</b>            | Patented Thinline® Rack and Pinion Rotary Actuator  |
| <b>Finish:</b>              | Safety Yellow Powder Coating  |
| <b>Options:</b>             | <ul style="list-style-type: none"> <li>• Tap-In-Kit</li> <li>• Mounting Plate Kit for Bolt-On Application</li> <li>• Commercial Container Bumper Kit</li> </ul> |



Patented Thinline®  
Rack and Pinion  
Rotary Actuator



| MODEL NUMBER | "A" DIM. | "B" DIM. | "C" DIM. | "D" DIM. | "E" DIM. | "F" DIM. | "G" DIM. | "H" DIM. | "J" DIM. | "K" DIM. | "L" DIM. |
|--------------|----------|----------|----------|----------|----------|----------|----------|----------|----------|----------|----------|
| BTL 1110     | 38 1/4"  | 7 1/8"   | 21 1/4"  | 39 1/8"  | N/A      | N/A      | 16 1/4"  | 32 3/8"  | 35 3/4"  | 79 5/8"  | 43°      |
| BTL 1112     | 40 1/4"  | 7 1/8"   | 21 3/8"  | 42"      | 43 1/4"  | 3/8"     | 16 5/8"  | 31 1/2"  | 40 3/4"  | 83 1/2"  | 40°      |
| BTL 1114     | 42 1/4"  | 7 1/8"   | 21 1/8"  | 44 3/4"  | 46 5/8"  | 1/2"     | 16 1/4"  | 32 1/2"  | 43 5/8"  | 87 5/8"  | 43°      |

### Bayne Premium Lift Systems

910 Fork Shoals Road, Greenville, SC 29605 • [www.baynethinline.com](http://www.baynethinline.com)  
Toll Free: 800.535.2671 • Local: 864.288.3877 • Fax: 864.458.7519

© 2009, Bayne Premium Lift Systems  
Printed in U.S.A. Form #BLS-01-001-041505