

SPECIFICATIONS

Octagon Packer Receiver

FLOOR: 3/16" PL (std)

CROSSMEMBERS: 3 x 4.1 channel,
18" on center

WALLS: 3/16" PL solid welded with
tubing top rail

DOOR: 12 ga. with tubing frame

FRONT: 3/16" PL slant formed

PICK UP: Standard cable with 2" x 6" x 3/16" rails,
gusset at each crossmember

WHEELS: (4) 8" DIA X 9"L

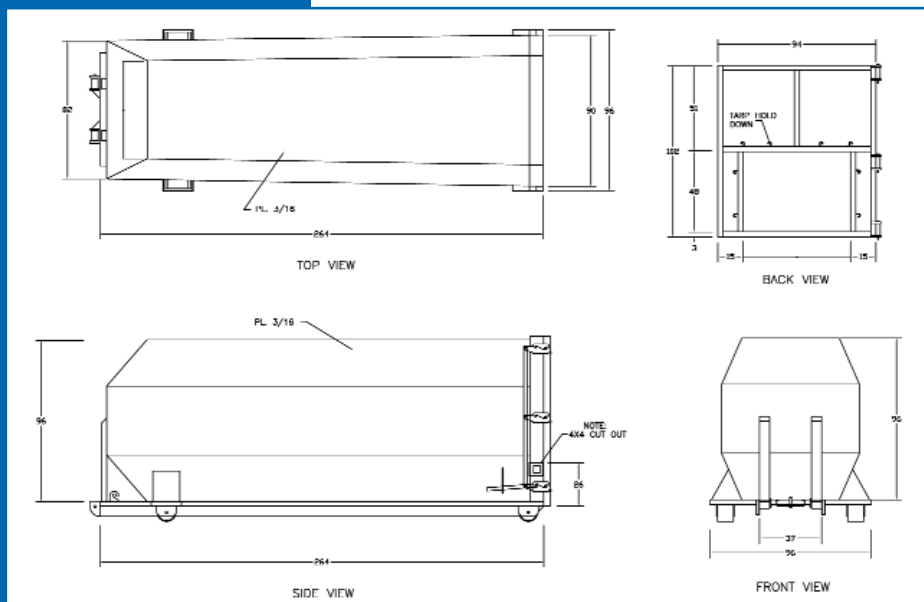
DOOR LATCH: Vertical latch with safety chain

WELDS: Continuous inside, skip weld outside

FINISH: Coated inside and out with direct to
metal, rust inhibiting acrylic enamel color coat

DIMENSIONS: 22'-11" long (21' 8" inside),
96" wide (90" rear inside, 82" front inside)

OPTIONS: Ampliroll, Heil and Dino pickup also
available



DRAGON

PRODUCTS, LTD.

1-866-941-8198

www.modernusa.com